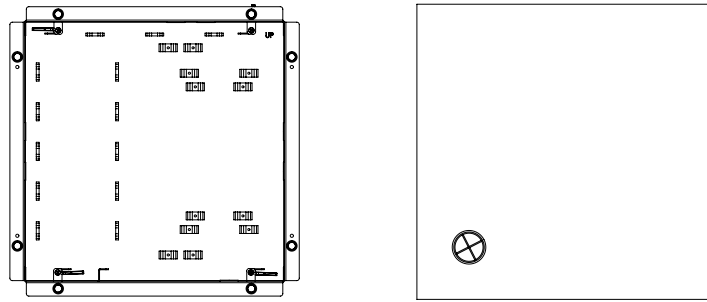


# Multi-Purpose In-Wall Box Installation Guide



## Model number

- C4-MPIWB Control4 Multi-Purpose In-Wall Box, Black

## Introduction

The Control4® Multi-Purpose In-Wall Box (MPIWB) is designed to provide discreet, behind-the-TV or cabinet installation of the following products:

- Triad® One Streaming Amplifier (TS-SAMP1-100)
- Triad 1-Zone High-Power Amplifier (TS-PAMP1-200)
- Control4 EA-3 Entertainment and Automation Controller (C4-EA3) with EA-3 Wall-Mount Bracket (C4-WMEA3)
- Control4 EA-1 Entertainment and Automation Controller (C4-EA1) with EA-1 Wall-Mount Bracket (C4-WMEA1)

The MPIWB is designed for existing (retrofit) construction using included dogleg fasteners or by attaching the box directly to wall studs using mounting screw holes.

Additional features include:

- Mounting points for all Control4 and Triad products listed above
- Single-gang box cutout for installation of AC power using an existing electrical box
- Multiple knockouts for entry/exit of low-voltage cabling
- Multiple tie-off points for wire management and attachment of miscellaneous electronic accessories
- Four dogleg fasteners for retrofit installation
- Screw holes for direct installation to wall studs
- Magnetic bezel for easy installation of aluminum mesh cover
- Cover includes a grommet for entry/exit of low-voltage cabling
- Includes wall template for precise cutout dimensions

## Box contents

- In-wall box
- Aluminum mesh cover
- Wall template with cutout dimensions
- Mounting bracket for Triad One
- Mounting screws (5)
- Flat washers (4)

## Dimensions

In-wall cut-out dimensions (H×W)—13.25 × 13.25" (337 × 337 mm)

Overall box dimensions (H×W×D)—14.55 × 14.55 × 3.5" (370 × 370 × 89 mm)

With Aluminum mesh cover (H×W×D)—14.69 × 14.69 × 3.6" (373 × 373 × 91 mm)

## Additional resources

The following resources are available for more support.

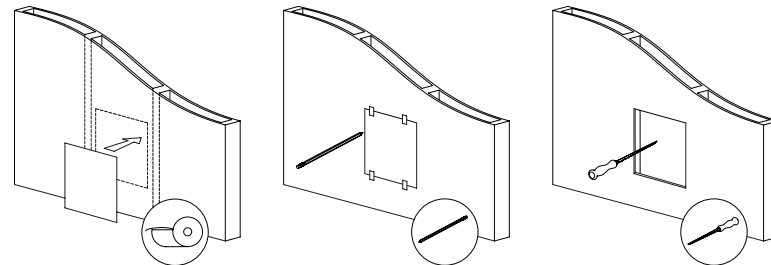
- Control4 Knowledgebase: [kb.control4.com](http://kb.control4.com)
- Dealer Forums: [forums.control4.com](http://forums.control4.com)
- Control4 Technical Support: [dealer.control4.com/dealer/support](http://dealer.control4.com/dealer/support)
- Control4 website: [www.control4.com](http://www.control4.com)
- Composer Pro documentation in online help or PDF format available on the Dealer Portal under Support: [ctrl4.co/docs](http://ctrl4.co/docs)

## Before installation

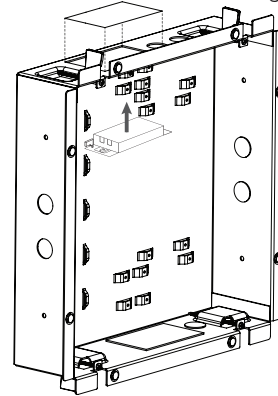
- Read the entire contents of this installation guide.
- Ensure all low-voltage and AC wiring has been pulled to the location in the wall where the MPIWB will be installed.
- Important!** Electrical wiring to the in-wall box must be performed by a licensed electrician and installed in accordance with applicable codes and regulations.
- Be aware of all plumbing, electrical, and ductwork that are located in the walls.

## Installing the MPIWB

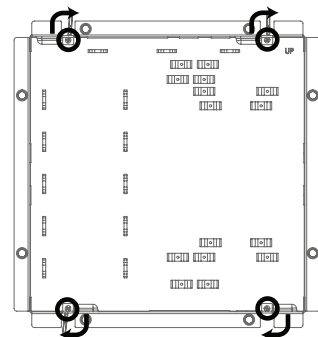
- Use a stud finder to locate the studs to the left and the right of where the MPIWB will be installed and mark their locations.



- Determine the desired height of the MPIWB and make a mark on the wall where the top of the box should align.
- Place the cutout template on the wall, align the top of the template with the height marker, and center between the studs where the MPIWB will be installed. Using a level to ensure the template is lined up correctly, mark the full outline of the template on the wall.
- Using a drywall saw, cut out the opening.
- Open any of the knockouts on the MPIWB that will be used for low-voltage wiring.
- If an AC outlet is to be installed, knock out the single-gang outlet opening in the top or bottom of the in-wall box and install a retrofit single-gang electrical box.
- Before inserting the box into the wall, pull all low-voltage wiring through the knockouts and AC cabling through the single-gang electrical box.

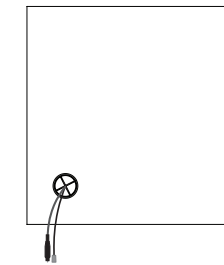


- With all wires pulled through, insert the box into the wall opening. The outside tabs on the box will keep the unit from going deeper than the opening in the wall.
- Using a Phillips screwdriver, tighten all four of the dogleg screws until the unit is secure in the wall.



- Mount all desired equipment in the box and make all terminations. (See installation instructions below.)

- Before installing the front cover, pull any low-voltage wiring to external devices through the grommet on the mesh cover.



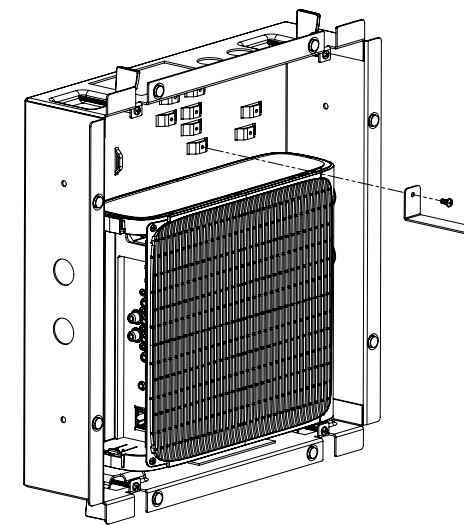
- Snap the mesh cover over the trim bezel.

- Important:** In order to provide adequate ventilation for all equipment in the MPIWB, there must be at least 1" of space between the mesh cover and the object in front of it. Do not place the MPIWB in an area that is completely enclosed. Doing so risks damage to the equipment that is mounted in the box.

- Note:** Depending on obstructions in the wall, use of all four doglegs may not be practical. If this is the case, attach the box to one of the wall studs using the mounting screw holes on the sides of the MPIWB.

## Installing the Triad One Streaming Amplifier

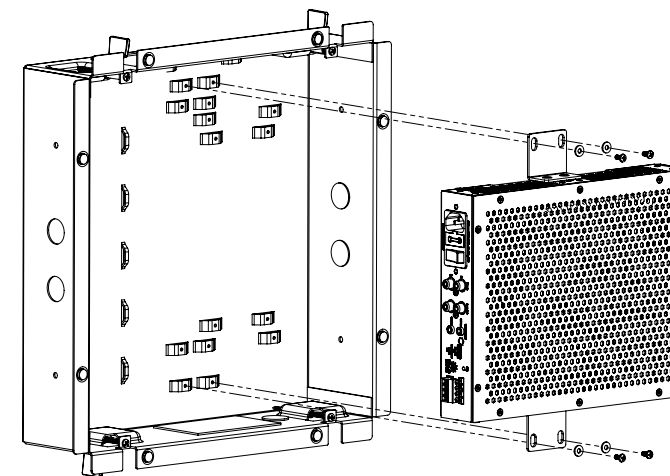
- Position the Triad One in the MPIWB as shown in the illustration.



- Attach the mounting bracket to secure the unit in the MPIWB.

## Installing the Triad 1-Zone High-Power Amplifier

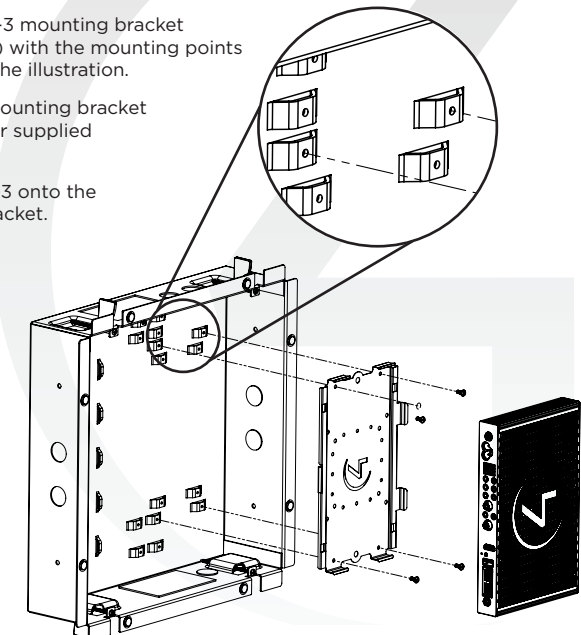
- Attach the short rack-mount ears to the middle of the amplifier as shown in the illustration.



- Using the supplied screws, attach the rack ears on the amplifier to the top and bottom sets of mounting posts to secure the amplifier in the MPIWB.

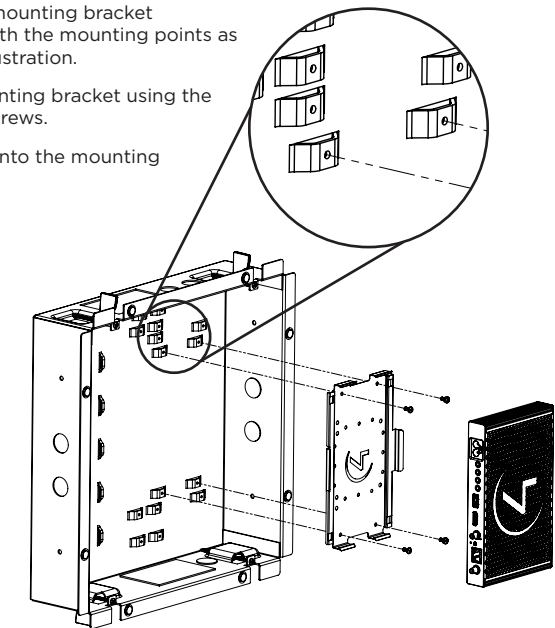
## Installing the EA-3 controller

- Align the EA-3 mounting bracket (C4-WMEA3) with the mounting points as shown in the illustration.
- Attach the mounting bracket using the four supplied screws.
- Snap the EA-3 onto the mounting bracket.



## Installing the EA-1 controller

- Align the EA-1 mounting bracket (C4-WMEA1) with the mounting points as shown in the illustration.
- Attach the mounting bracket using the four supplied screws.
- Snap the EA-1 onto the mounting bracket.



## Warranty

Visit [ctrl4.co/warranty](http://ctrl4.co/warranty) for details.

## Regulatory/Safety information

To review regulatory information for your Control4 products, see the information located on the Control4 website at [ctrl4.co/reg](http://ctrl4.co/reg).

## More help

For the latest version of this document and to view additional materials, open the URL or scan the QR code on a device that can view PDFs.

LATEST VERSION OF THIS GUIDE



[ctrl4.co/mpiw-b-ig](http://ctrl4.co/mpiw-b-ig)

Copyright ©2019, Control4 Corporation. All rights reserved. Control4, the Control4 logo, the 4-ball logo, 4Store, 4Sight, Control4 My Home, Triad, the Triad logo, Pakedge, and Bakpak are registered trademarks or trademarks of Control4 Corporation or its subsidiaries in the United States and/or other countries. All other names and brands may be claimed as the property of their respective owners. All specifications subject to change without notice.